

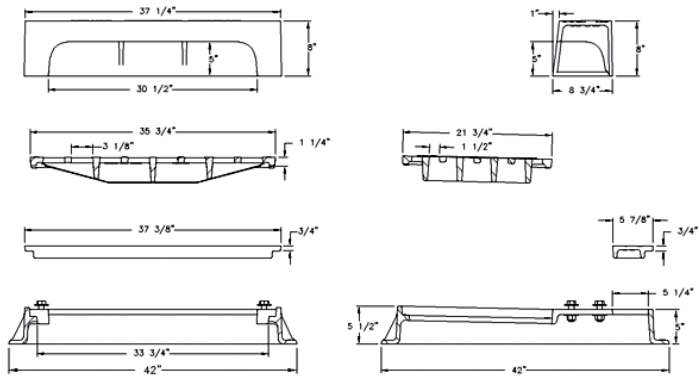
7597 CURB & GUTTER INLET

Heavy duty
 Approximate 283 sq. in. open area
 "DUMP NO WASTE!"
 lettering and fish image

Options
 6" height back — T2
 8" height back — T1



Illustrating 7597 with T1 back, M1 grate and curb plate



7598 CURB & GUTTER INLET

Heavy duty
 Uses 7597 grates
 Approximate 283 sq. in. open area
 "DUMP NO WASTE!"
 lettering and fish image

Options
 6" height back — T2
 8" height back — T1



Illustrating 7598Z1 frame, T2 back and 7597M1 grate

